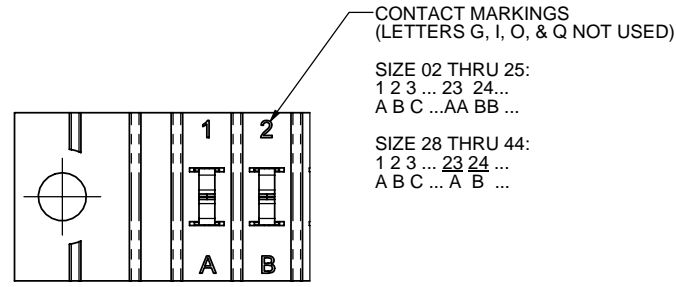
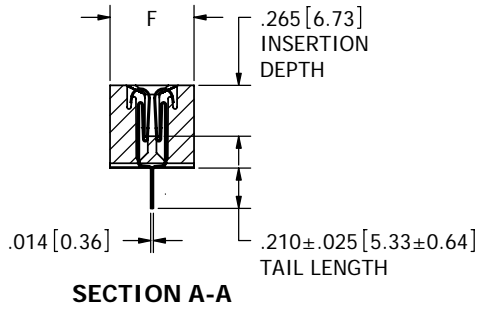
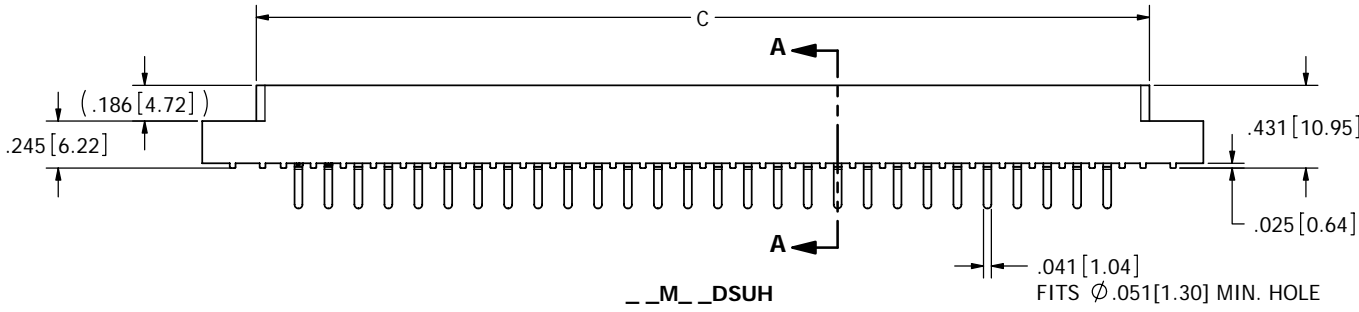
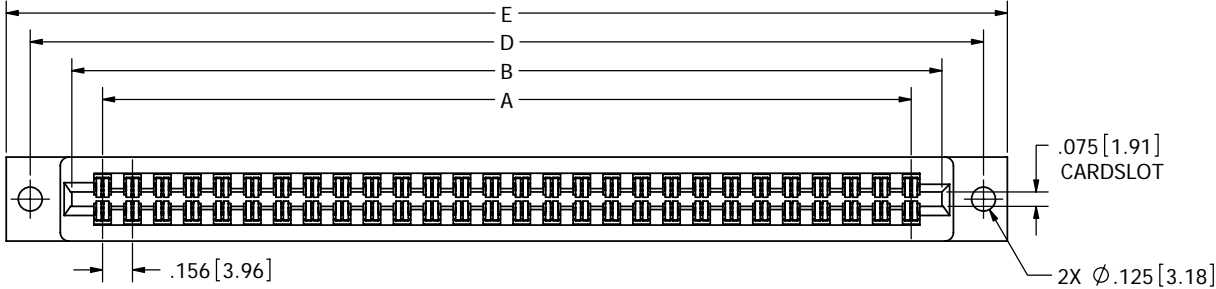


REVISIONS				
REV.	ECO. NO	DESCRIPTION	DATE	BY
A	1628	INITIAL RELEASE	3/4/2008	MV
B	1662	UPDATE DRAWING FORMAT & PART NUMBER CODING	4/28/2008	VJ

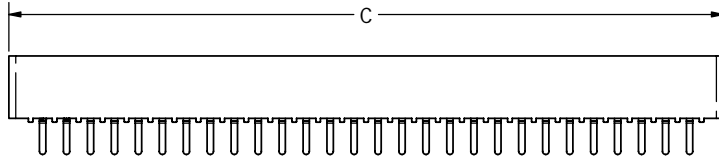
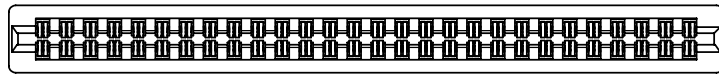


- NOTES:
1. INSULATOR MATERIAL: SEE PART NUMBER CODING.
 2. CONTACT MATERIAL: SEE PART NUMBER CODING.
 3. PLATING: SEE PART NUMBER CODING.
 4. TEMPERATURE: SEE PART NUMBER CODING.
 5. PROCESSING TEMP: SEE PART NUMBER CODING.
 6. UL FLAMMABILITY RATING: 94V-0.
 7. VOLTAGE RATING: 1800 VDC MINIMUM AT SEA LEVEL.
 8. CURRENT RATING: SEE PART NUMBER CODING.
 9. VOLTAGE DROP: 30 MILLI VOLT AT RATED CURRENT.
 10. INSULATION RESISTANCE: 5000 MEGA OHMS.
 11. CONNECTOR IDENTIFICATION: THE PART SHALL BE MARKED WITH A PART NUMBER AND BARCODE.
 12. BOARD THICKNESS ACCOMMODATED: .062 ± .008 [1.57 ± 0.20].
 13. BOARD INSERTION FORCE: 16 OZ MAX PER CONTACT PAIR WHEN USING A .062 [1.57] TEST BLADE. INTERNAL INSPECTION TO BE PER SULLIN'S WORK INSTRUCTION W17.3-01.
 14. BOARD WITHDRAWAL FORCE: 1 OUNCE MINIMUM PER CONTACT PAIR USING .062 [1.57] PCB.



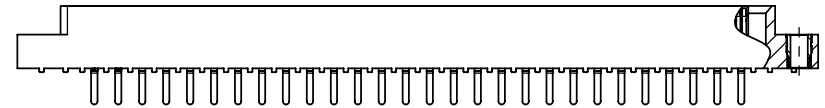
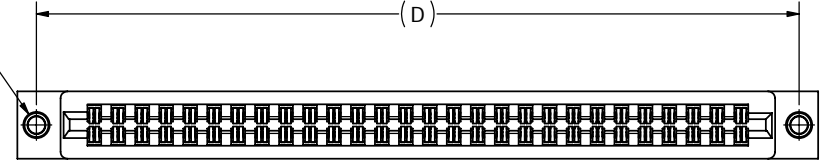
CUSTOMER COPY

UNLESS OTHERWISE SPECIFIED: DIMENSIONS ARE IN INCHES[MM] TOLERANCES: ANGULAR: ± 30' XX ± .02 [508] XXX ± .005 [1270] XXXX ± .0005 [0127] SURFACE FINISH: 63 Ra REMOVE ALL BURRS AND SHARP EDGES .010 MAX		DATE: 3/4/2008	NAME: MNH
THE INFORMATION HEREIN CONTAINS PROPRIETARY INFORMATION OF SULLIN ELECTRONICS AND IS NOT TO BE REPRODUCED, USED OR DISCLOSED TO OTHERS FOR ANY PURPOSE EXCEPT AS SPECIFICALLY AUTHORIZED IN WRITING BY AN OFFICER OF SULLIN ELECTRONICS.		DESCRIPTION: EDGECARD, .156 CC, LP	
INTERPRET DIMENSIONS AND GEOMETRIC TOLERANCING PER: ANSI Y14.5M-1994		PART NUMBER: M_DSU	
SIZE: C	DWG. NO: C11068	REV: B	SCALE: 2:1
SHEET 1 OF 3			



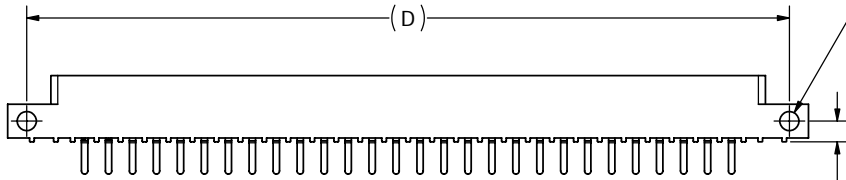
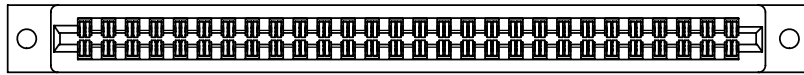
__M_DSUN

2X #4-40
THREADED
INSERTS

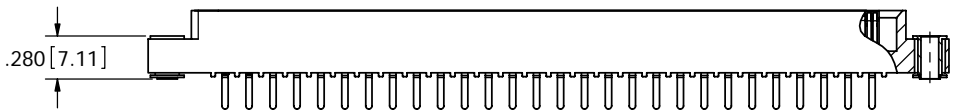
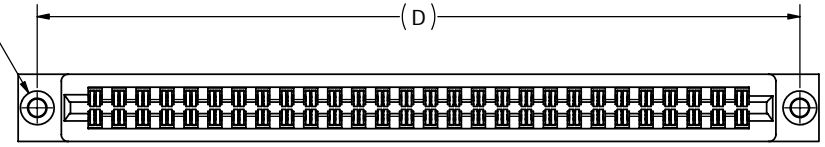


__M_DSUI

2X FLOATING BOBBIN
Ø.116 [2.95] CLEARANCE
FOR # 4 SCREW



__M_DSUS



__M_DSUF

4X Ø.125 [3.18]

CUSTOMER COPY



RoHS COMPLIANT

UNLESS OTHERWISE SPECIFIED:
DIMENSIONS ARE IN INCHES[MM]
TOLERANCES:
ANGULAR: ± 30'
XX ± .02 [508]
XXX ± .005 [1270]
XXXX ± .0005 [0127]
SURFACE FINISH: 6.3 Rz
REMOVE ALL BURRS AND SHARP EDGES .010 MAX
INTERPRET DIMENSIONS AND GEOMETRIC
TOLERANCING
PER: ANSI Y14.5M-1994

DRAWN	DATE	NAME	DESCRIPTION	
MNH	3/4/2008	MNH	EDGE CARD, .156 CC, LP	
THE INFORMATION HEREIN CONTAINS PROPRIETARY INFORMATION OF SULLINS ELECTRONICS AND IS NOT TO BE REPRODUCED, USED OR DISCLOSED TO OTHERS FOR ANY PURPOSE EXCEPT AS SPECIFICALLY AUTHORIZED IN WRITING BY AN OFFICER OF SULLINS ELECTRONICS.			PART NUMBER	
			__M_DSU	
SIZE	DWG. NO.	REV		
C	C11068	B		
SCALE: 2:1			SHEET 2 OF 3	

PART NUMBER	NO. OF POS.	A ± .008[0.20]		B ± .008[0.20]		C ± .015[0.38]		D ± .010[0.25]		E ± .020[0.51]		E ± .020[0.51]		F ± .005[0.13]			
		IN	MM	IN	MM	IN	MM	IN	MM	IN	MM	IN	MM	IN	MM		
		"N" MOUNTING															
M02DSUN	2	0.156	3.96	0.476	12.09	0.596	15.14									0.325	8.26
M03DSUN	3	0.312	7.92	0.632	16.05	0.752	19.10										
M06DSU	6	0.780	19.81	1.100	27.94	1.220	30.99	1.533	38.94	1.782	45.26	1.882	47.80				
M08DSU	8	1.092	27.74	1.412	35.86	1.532	38.91	1.845	46.86	2.094	53.19	2.194	55.73				
M10DSU	10	1.404	35.66	1.724	43.79	1.844	46.84	2.157	54.79	2.406	61.11	2.506	63.65				
M11DSU	11	1.560	39.62	1.880	47.75	2.000	50.80	2.313	58.75	2.562	65.07	2.662	67.61				
M12DSU	12	1.716	43.59	2.036	51.71	2.156	54.76	2.469	62.71	2.718	69.04	2.818	71.58				
M15DSU	15	2.184	55.47	2.504	63.60	2.624	66.65	2.937	74.60	3.186	80.92	3.286	83.46				
M18DSU	18	2.652	67.36	2.972	75.49	3.092	78.54	3.405	86.49	3.654	92.81	3.754	95.35				
M22DSU	22	3.276	83.21	3.596	91.34	3.716	94.39	4.029	102.34	4.278	108.66	4.378	111.20				
M24DSU	24	3.588	91.14	3.908	99.26	4.028	102.31	4.341	110.26	4.590	116.59	4.690	119.13				
M25DSU	25	3.744	95.10	4.064	103.23	4.184	106.27	4.497	114.22	4.746	120.55	4.846	123.09				
M28DSU	28	4.212	106.98	4.532	115.11	4.652	118.16	4.965	126.11	5.214	132.44	5.314	134.98	0.438	11.13		
M36DSU	36	5.460	138.68	5.780	146.81	5.900	149.86	6.213	157.81	6.462	164.13	6.562	166.67	0.500	12.70		
M43DSU	43	6.552	166.42	6.872	174.55	6.992	177.60	7.305	185.55	7.554	191.87	7.654	194.41				
M44DSU	44	6.708	170.38	7.028	178.51	7.148	181.56	7.461	189.51	7.710	195.83	7.810	198.37				

Only applies for PPS/PEEK insulators with threaded inSURts or floats

PART NUMBER CODING

-- M -- DSU --

MATERIAL (INSULATOR/CONTACT)

E = PBT/PHOSPHOR BRONZE

OPERATING TEMP: -65°C TO +125°C @ 3 AMPS PER CONTACT
 OPERATING TEMP: -65°C TO +21°C @ 5 AMPS PER CONTACT
 PROCESSING TEMP: 260°C FOR 10 SECS MAX

R = PPS/PHOSPHOR BRONZE

OPERATING TEMP: -65°C TO +125°C
 PROCESSING TEMP: 260°C FOR 120 SECS MAX
 CURRENT RATING PER CONTACT: 5 AMPS

G = PA9T/PHOSPHOR BRONZE

OPERATING TEMP: -65°C TO +125°C
 PROCESSING TEMP: 260°C FOR 120 SECS MAX
 CURRENT RATING PER CONTACT: 5 AMPS

H = PBT/BERYLLIUM COPPER

OPERATING TEMP: -65°C TO +125°C @ 3 AMPS PER CONTACT
 OPERATING TEMP: -65°C TO +105°C @ 5 AMPS PER CONTACT
 PROCESSING TEMP: 260°C FOR 10 SECS MAX

A = PPS/BERYLLIUM COPPER

OPERATING TEMP: -65°C TO +150°C
 PROCESSING TEMP: 260°C FOR 120 SECS MAX
 CURRENT RATING PER CONTACT: 5 AMPS

J = PA9T/BERYLLIUM COPPER

OPERATING TEMP: -65°C TO +150°C
 PROCESSING TEMP: 260°C FOR 120 SECS MAX
 CURRENT RATING PER CONTACT: 5 AMPS

F = PPS/SPINODAL (CONSULT FACTORY)

AVAILABLE IN OVERALL GOLD ONLY (S OR M PLATING CODE)
 OPERATING TEMP: -65°C TO +200°C
 PROCESSING TEMP: 260°C FOR 120 SECS MAX
 CURRENT RATING PER CONTACT: 3 AMPS

C = PPS/BERYLLIUM COPPER (CONSULT FACTORY)

AVAILABLE IN OVERALL GOLD ONLY (S OR M PLATING CODE)
 OPERATING TEMP: -65°C TO +200°C @ 2 AMPS PER CONTACT
 OPERATING TEMP: -65°C TO +173°C @ 3 AMPS PER CONTACT
 PROCESSING TEMP: 260°C FOR 120 SECS MAX

W = PEEK/BERYLLIUM COPPER (CONSULT FACTORY)

AVAILABLE IN OVERALL GOLD ONLY (S OR M PLATING CODE)
 OPERATING TEMP: -65°C TO +250°C
 CURRENT RATING PER CONTACT: 3 AMPS
 (CONSULT FACTORY FOR OTHER MATERIALS)

MOUNTING STYLE

H = .125" DIA. CLEARANCE HOLES (PAGE 1)
 N = NO MOUNTING EARS (PAGE 2)
 S = .125" DIA. SIDE MOUNTING (PAGE 2)
 I = #4-40 THREADED INSERT (PAGE 2)
 F = FLOATING BOBBIN (PAGE 2)

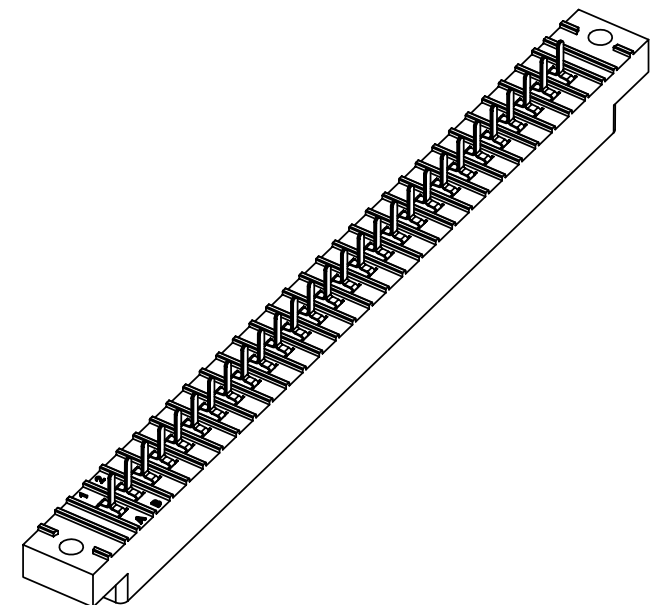
NUMBER OF POSITIONS (CONTACTS PER ROW)

PLATING

ALL PLATINGS ARE LEAD FREE AND HAVE .000050" NICKEL UNDERPLATE

CONTACT SURFACE	TERMINATION
G = .000010" GOLD	.000005" GOLD
Y = .000030" GOLD	.000005" GOLD
B = .000010" GOLD	.000100" PURE TIN, MATTE
C = .000030" GOLD	.000100" PURE TIN, MATTE
**E = .000100" PURE TIN, MATTE, OVERALL	
S = .000010" GOLD OVERALL	
M = .000030" GOLD	.000010" GOLD OVERALL

** OVERALL TIN ONLY AVAILABLE ON MATERIAL CODES E, R AND G



CUSTOMER COPY



RoHS COMPLIANT

UNLESS OTHERWISE SPECIFIED:

DIMENSIONS ARE IN INCHES[MM]
 TOLERANCES:
 ANGULAR: ± 30'
 XX ± .02 [508]
 XXX ± .005 [127]
 XXXX ± .0005 [0127]
 SURFACE FINISH: 63 Ra
 REMOVE ALL BURRS AND SHARP EDGES .010 MAX

INTERPRET DIMENSIONS AND GEOMETRIC TOLERANCING PER: ANSI Y14.5M-1994

DATE	NAME	DESCRIPTION
3/4/2008	MNH	
DRAWN		EDGE CARD, .156 CC, LP
THE INFORMATION HEREIN CONTAINS PROPRIETARY INFORMATION OF SULLINS ELECTRONICS AND IS NOT TO BE REPRODUCED, USED OR DISCLOSED TO OTHERS FOR ANY PURPOSE EXCEPT AS SPECIFICALLY AUTHORIZED IN WRITING BY AN OFFICER OF SULLINS ELECTRONICS.		PART NUMBER
SIZE		M_DSU
DWG. NO		C11068
REV		B
SCALE: 1:1		SHEET 3 OF 3